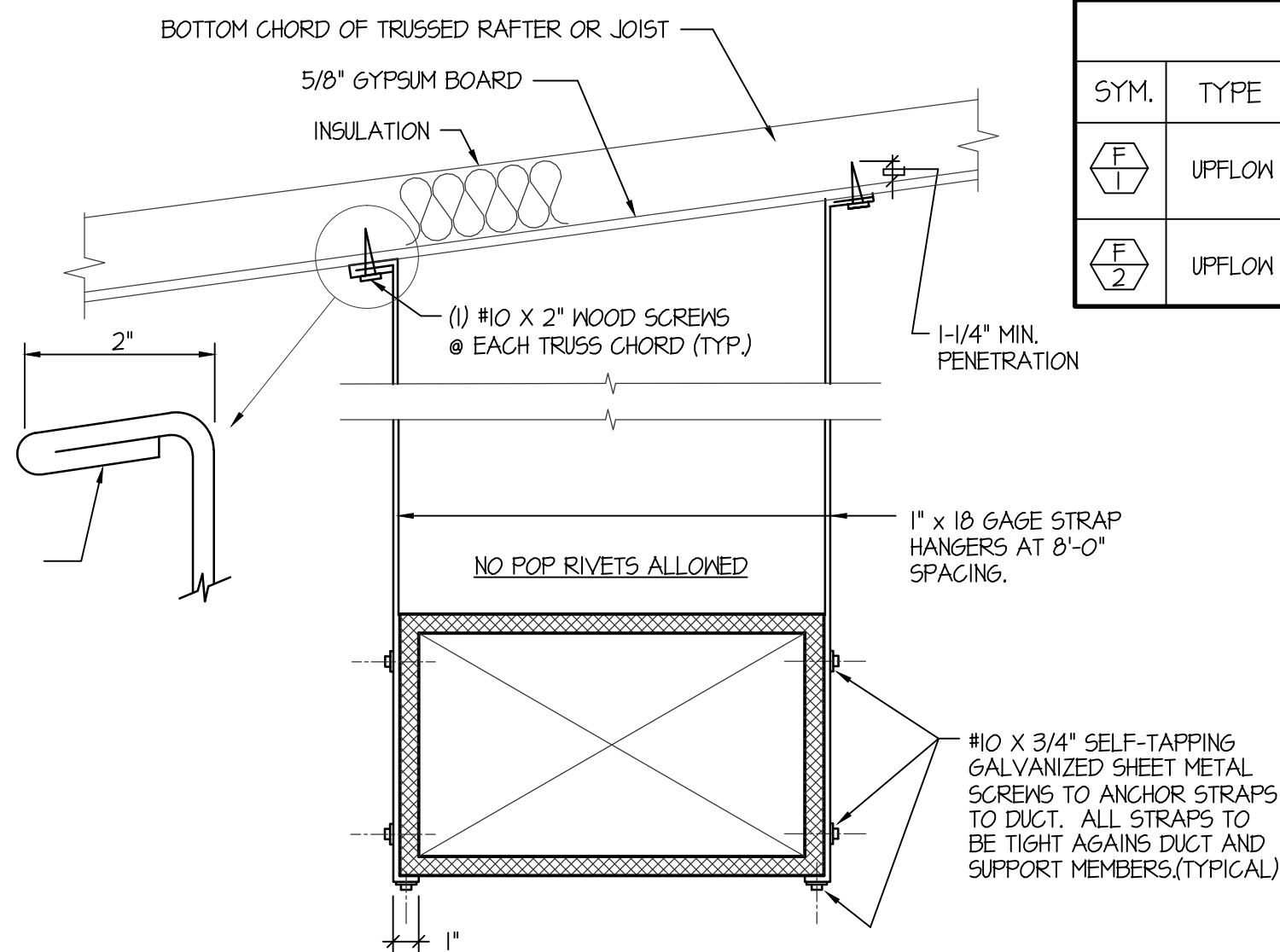
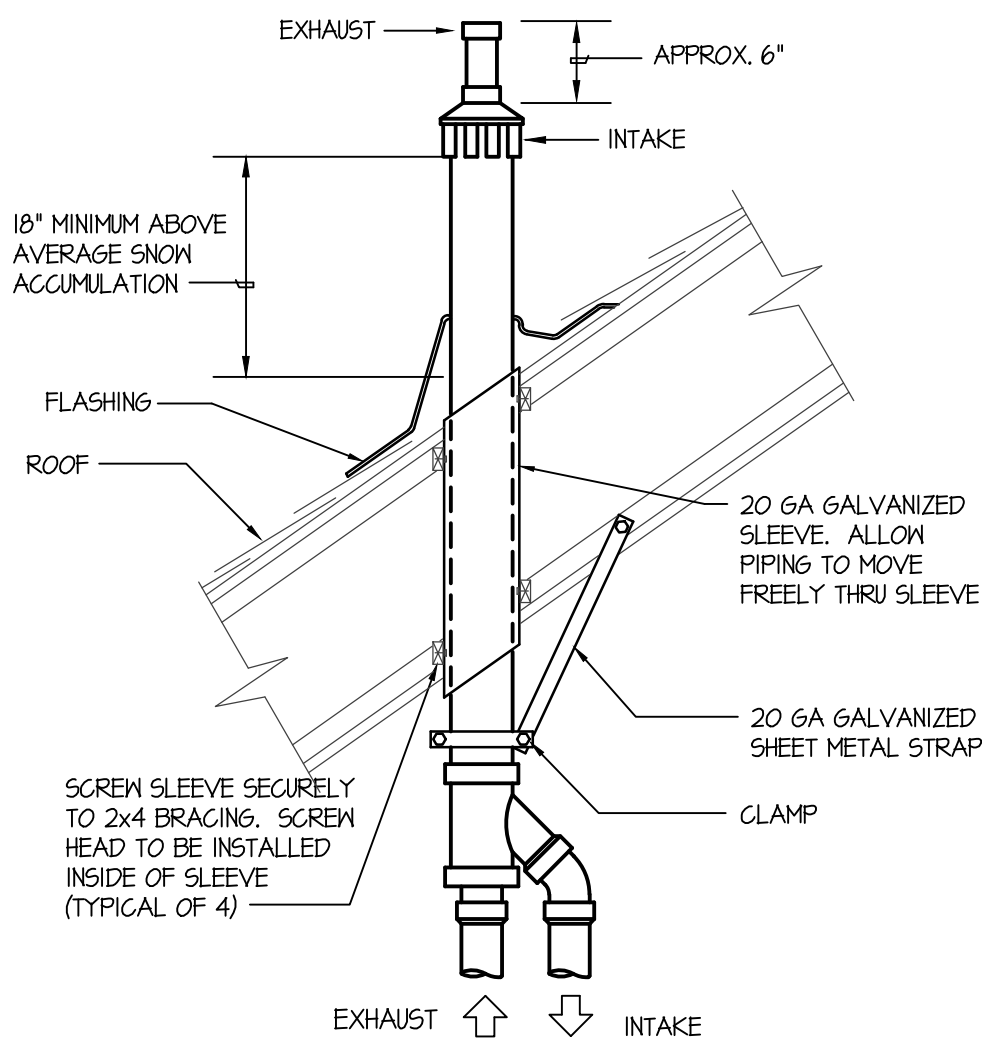


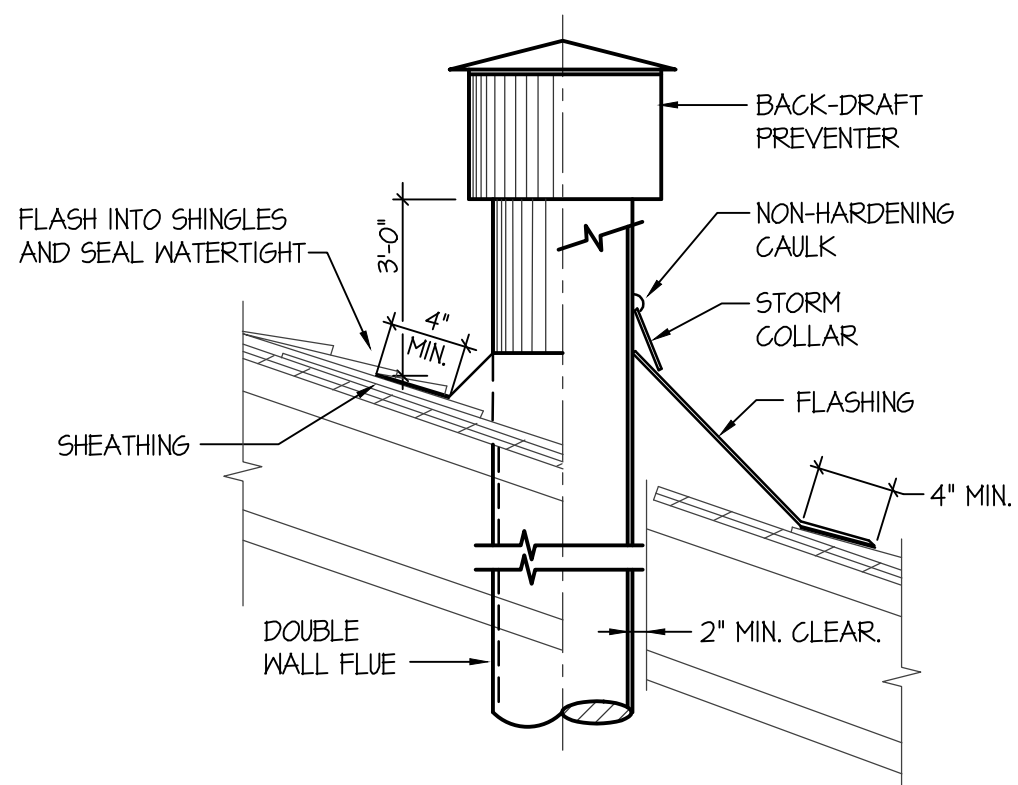
COMBUSTION AIR DETAIL
NO SCALE



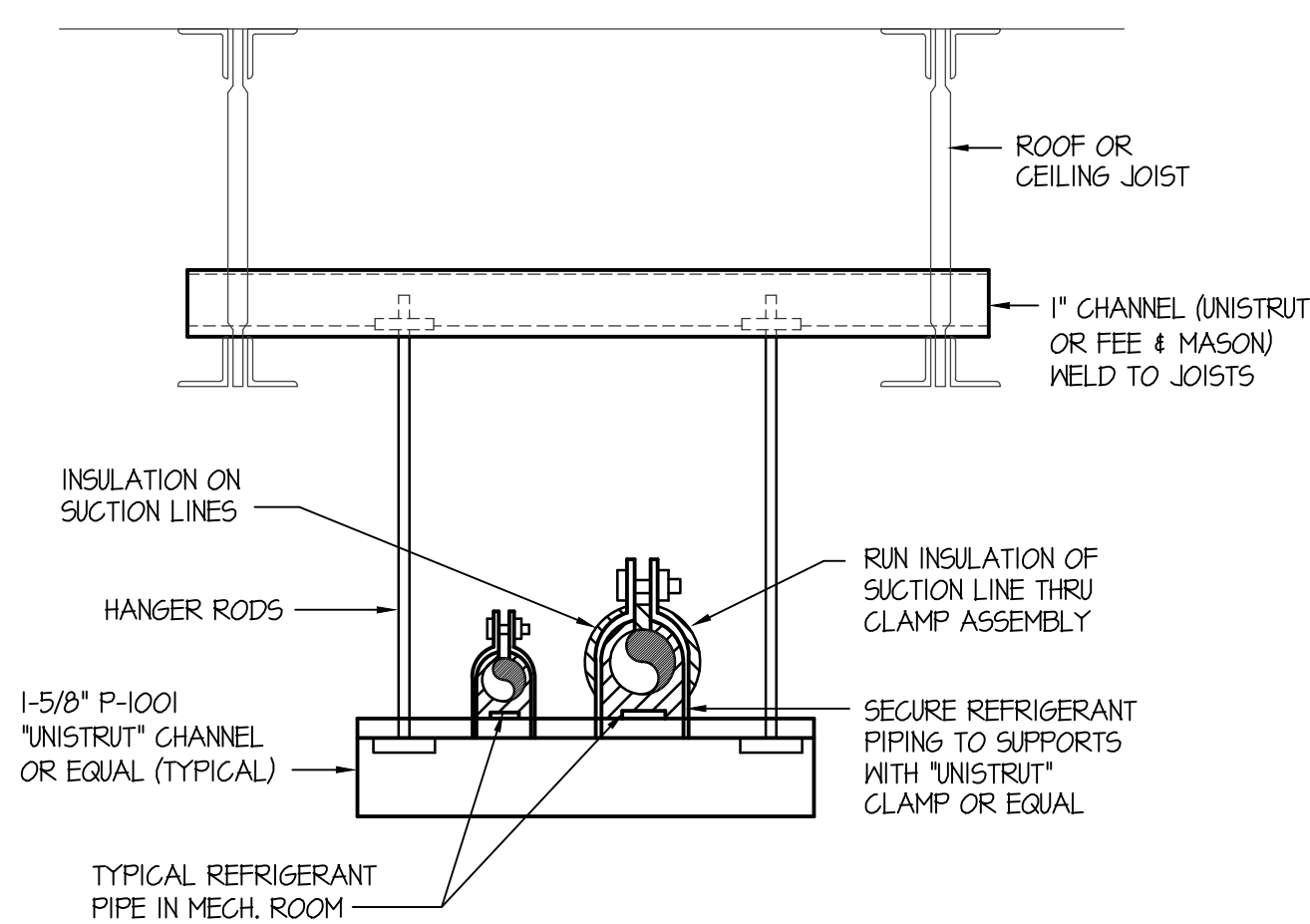
DUCT STRAP HANGER DETAIL
NO SCALE



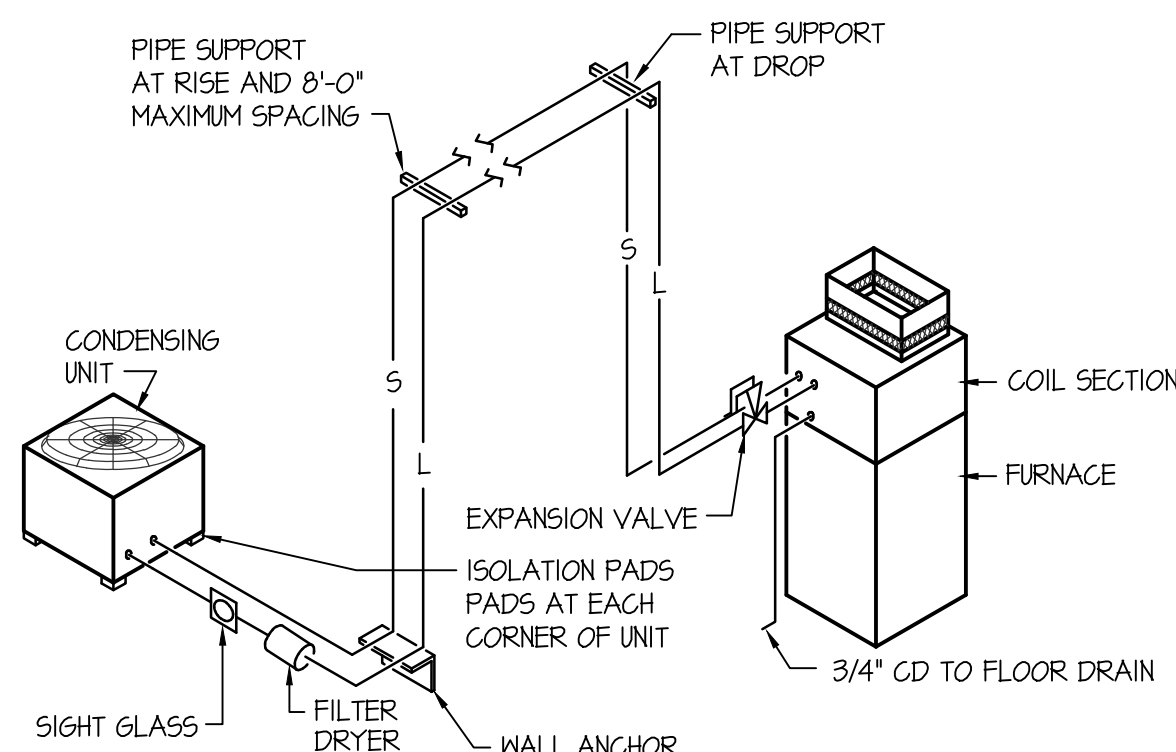
CONCENTRIC VENT TERMINATION DETAIL
NO SCALE FURNACE & WATER HEATER



FLUE THRU ROOF DETAIL
NO SCALE



REFRIGERANT PIPE SUPPORT DETAIL



REFRIGERANT PIPING DIAGRAM
NO SCALE (5 TON AND SMALLER)

NOTE:
ALL PIPING SUPPORTS ARE TO BE INSTALLED PRIOR TO FIREPROOFING OF JOISTS. NO PIPING SUPPORTS ARE TO BE ATTACHED AFTER FIREPROOFING HAS BEEN DONE.

FURNACE AND DX COOLING COIL SCHEDULE																							
SYM.	TYPE	C.F.M.	SP E	SPEED	H.P.	CHAR.	A.S.A.			E.A.T.	L.A.T.	GAS TYPE	DX COOLING COIL				PIPING SIZES				REMARKS		
							INPUT	OUTPUT	Ø ELEV.				B.T.U.	E.A.T.	L.A.T.	MAX. P.D.	LIQUID	SUCTION	C.D.	NAT GAS		INTAKE	EXHAUST
F1	UPFLOW	1945	.60'	HIGH	1	120/60/1	110,000	106,000	79,000	65°F	105°F	NAT	60,000	75°F	55°F	.25"	SEE C. UNIT SCHED.	SEE C. UNIT SCHED.	3/4"	3/4"	2" PVC	2" PVC	LENNOX EL195UHI0P60C WITH FULLY CASED R-410A DX COOLING COIL TO MATCH FURNACE & VERTICAL VENT TERMINAL ASSEMBLY.
F2	UPFLOW	1,200	.60'	M-HIGH	1/3	120/60/1	44,000	42,000	79,000	65°F	105°F	NAT	36,000	75°F	55°F	.25"	SEE C. UNIT SCHED.	SEE C. UNIT SCHED.	3/4"	1/2"	2" PVC	2" PVC	LENNOX EL193UH045XP36B WITH FULLY CASED R-410A DX COOLING COIL TO MATCH FURNACE & VERTICAL VENT TERMINAL ASSEMBLY.

EXHAUST FAN SCHEDULE									
SYM.	TYPE	C.F.M.	S.P.E.	WATTS	CHAR.	R.P.M.	CONTROL	REMARKS	
EF1	CEILING MOUNTED	200	.25	127	120/60/1	760	SEE ELEC.	TWIN CITY MODEL T200 WITH BACKDRAFT DAMPER. 8" Ø EXHAUST DUCT TO SLOPED ROOF CAP.	

ENERGY RECOVERY VENTILATOR									
SYM.	TYPE	CFM	RPM	FLA	MCA	S.P.E.	CHAR.	CONTROL	REMARKS
ERY1	ENERGY RECOVERY VENTILATOR	1302	1085	15.2	18.5	.35	240/60/1	SEE ELECTRICAL	RENEWAIR MODEL HE2XINH. TWO 1.5 HP FANS. 25 MAX. FUSE SIZE

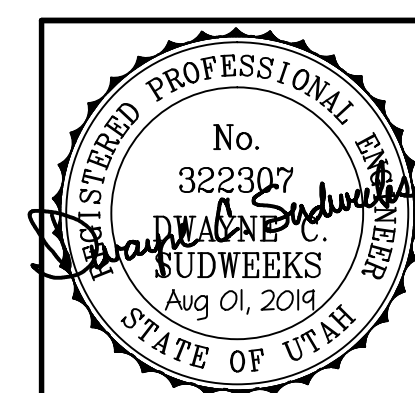
ELECTRIC HEATER SCHEDULE						
SYM.	TYPE	BTU	KW	CHAR.	CONTROL	REMARKS
EH1	FAN-FORCED WALL HEATER	5,120	1.5	120/60/1	BUILT IN	GMARK MODEL GFR1500T2 FAN-FORCED WITH BUILT IN THERMOSTAT.

CONDENSING UNIT SCHEDULE										
SYM.	BTU	EAT	CHAR.	MCA	MFS	SEER	REFR.	PIPE SIZING		REMARKS
								LIQUID	SUCTION	
CU1	60,000	45°F	240/60/1	34.6	50.0	13.0	R-410A	1/2"	7/8"	LENNOX MODEL 13ACX-060 WITH 0°F LOW AMBIENT HARD START KIT.
CU2	36,000	45°F	240/60/1	17.2	30	13.0	R-410A	3/8"	5/8"	LENNOX MODEL 13ACX-036 WITH 0°F LOW AMBIENT HARD START KIT.

GRILLE AND REGISTER SCHEDULE									
SYM.	TYPE	SIZE	CFM RANGE	THROW PATTERN	CONSTR.	FINISH	BRANCH DUCT	BALANCING DAMPER	REMARKS
D-1 [CFM]	DUCT	10" Ø	300	NA	STEEL	BLACK	4" Ø	YES	FRICE MODEL RCD
D-2 [CFM]	DUCT	9" Ø	200-280	NA	STEEL	BLACK	4" Ø	YES	FRICE MODEL RCD
RG-1	DUCT	14x14	426	NA	STEEL	WHITE	12" Ø	NA	FRICE MODEL 535
QL-1	INTAKE LOUVER	12x12	600	NA	ALUM	COLOR BY ARCH.	NA	NA	AMERICAN WARMING LE-31 WITH INSECT SCREEN
QL-2	COMBUSTION LOUVER	14x14	---	NA	ALUM	COLOR BY ARCH.	NA	NA	AMERICAN WARMING LE-31 WITH INSECT SCREEN
RC-1	ROOF CAP	14" Ø	300	NA	ALUM	---	NA	NA	TWIN CITY MODEL 431 WITH INSECT SCREEN & BACK-DRAFT DAMPER
RC-2	ROOF CAP	8" Ø	200	NA	ALUM	---	NA	NA	TWIN CITY MODEL 634P WITH INSECT SCREEN & BACK-DRAFT DAMPER
SRG-1 [CFM]	HIGH SIDENALL	14x10	285	NA	STEEL	WHITE	12" Ø	NO	FRICE MODEL 535
SRG-2 [CFM]	HIGH SIDENALL	14x14	325-400	NA	STEEL	WHITE	12" Ø	NO	FRICE MODEL 535
SNR-1 [CFM]	HIGH SIDENALL	14x10	285	NA	STEEL	WHITE	12" Ø	NO	FRICE MODEL 535
SNR-2 [CFM]	DUCT	14x8	400	N/A	ALUMINUM	NO	12" Ø	YES	FRICE SD6

A NEW FACILITY FOR:
WATER EDGE CLUBHOUSE #2
Vineyard, Utah
MECHANICAL FLOOR PLAN

Laughlin Ricks Architecture
architecture/planning
935 Shoshone Street North • Twin Falls, Idaho 83301
(208) 736-8060 Fax: (208) 733-0950



Engineered Systems Associates
1355 EAST CENTER
POCATELLO, IDAHO 83201
PHONE: (208) 233-0501
FAX: (208) 233-0529
EMAIL: eso@engsystems.com
ESA JOB NUMBER: 19025

DATE: _____
Drawn: _____
Checked: _____
M1-2